

Traction Converter Kiepe TU 900

COMPACT POWER FOR HEAVY SHUNTING AND
MAIN-LINE LOCOMOTIVES OF THE TYPE DE 12 / DE 18

- Traction converter with integrated input rectifier and braking controller
- Supplies both motors of a bogie with up to 2 x 400 kW
- Integrated auxiliary converters supply auxiliaries and comfort consumers redundantly and efficiently
- Integrated start/stop function starts diesel engine via the starter battery; separate starters not necessary
- Exciter supplied via the starter battery output
- Compact, low-noise construction due to water-cooled design
- Web-based diagnosis, inclusive of the entire maintenance documentation as well as troubleshooting and remedial actions
- Europe-wide homologation of the locomotives considered

KIEPEELECTRIC



TECHNICAL DATA

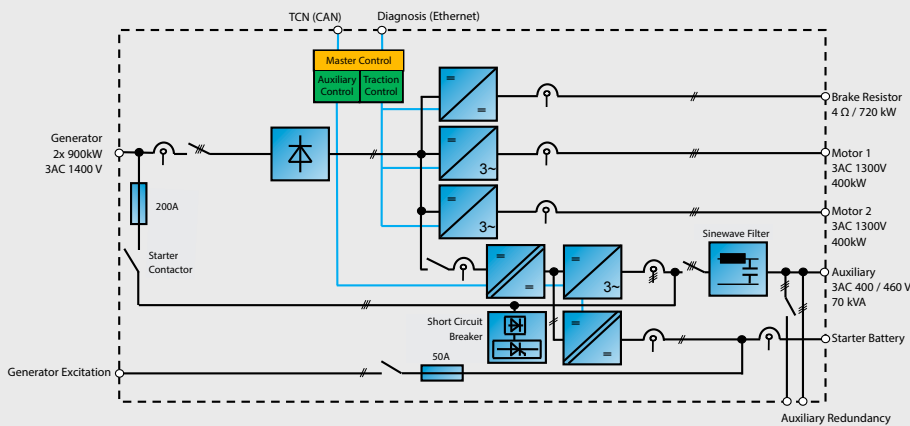
Electrical data

Generator input	
Nominal voltage	3AC 1400V
Power	900 kW (per generator winding)
Frequency	< 90 Hz
Motor output (2x)	
Nominal voltage	3AC 1300 V
Nominal power (S1)	400kW
Nominal current (S1)	278 A
Max. frequency	156 Hz
Braking resistor output	
Nominal voltage	DC 1900 V
Nominal power	720 kW
Current	< 670 A
AC output of auxiliaries	
Nominal voltage	3AC 400 V or 3AC 460 V
Frequency	50 Hz or 60 Hz
Nominal power	70 kVA at $\cos \varphi = 0,9$
Distortion factor	< 8%
DC output of auxiliaries	
Nominal voltage	DC 144 V
Charging voltage of battery	Temperature-based characteristic curve
Nominal power	8 kW

Mechanical data

Dimensions (length x height x depth) (without terminal box, clamping shoes)	2300 mm x 1185 mm x 600 mm
Weight	950 kg
Place of installation	Underfloor, access from the side
Cooling	Water cooling
Degree of protection	IP 65
Temperature range	-25 °C to + 40 °C

BLOCK DIAGRAM



Kiepe Electric GmbH

Kiepe-Platz 1
 40599 Düsseldorf
 Tel: +49 211 7497-0
 Fax: +49 211 7497-300
 info@kiepe.knorr-bremse.com
 www.kiepe.knorr-bremse.com



Knorr-Bremse Group

This publication may be subject to alteration without prior notice. A printed copy of this document may not be the latest revision. Please contact your local Knorr-Bremse representative or check our website www.knorr-bremse.com for the latest update. The figurative mark "K" and the trademarks KNORR and KNORR-BREMSE are registered in the name of Knorr-Bremse AG. Copyright 2016 © Knorr-Bremse AG. All rights reserved, including industrial property rights applications. Knorr-Bremse AG retains all power of disposal, such as for copying and transferring.