



Converter Series Kiepe DGG 500

INTEGRATED TRACTION AND ON-BOARD POWER SUPPLY SYSTEM
IN STANDARDISED DESIGN FOR TRAMWAYS AND LRV'S

REFERENCE: LRV GOTHENBURG

- Designed for axle- and bogie-selective drives
- Integrated auxiliary power supply with parallel operation capability of three-phase outputs and emergency start device
- DC/DC converter for the energy storage unit, optional
- Emergency drive via the 24 V on-board battery, optional
- High efficient and quiet cooling due to stepless variable-speed fan motors
- Fast and easy maintenance due to the modular design

KIEPEELECTRIC



TECHNICAL DATA

Electrical data

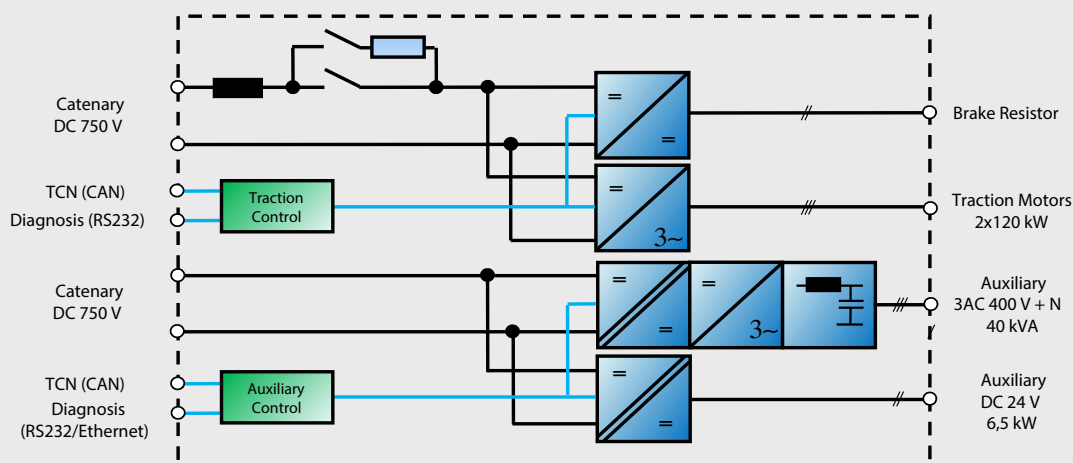
Input	
Nominal voltage	DC 750V
Betriebsbereich	DC 400V – 1000V
Motor output	
Nominal voltage	3AC 530V
Nominal power (S1)	1 x 250 kW or 2 x 150 kW
Nominal current (S1)	1 x 360 A or 2 x 330 A
Max. frequency	220 Hz
Braking resistor output	
Nominal voltage	DC 900V
Peak power	800 kW
Auxiliary AC output	
Nominal voltage	3AC+N 400V or 3AC 460V
Frequency	50/60 Hz
Nominal power	27 kVA or 40 kVA
Harmonic factor	< 5 %
Auxiliary DC output	
Nominal voltage	DC 24V
Battery-charging voltage	Temperature-dependent characteristic
Nominal power	6.5 kW or 10 kW

Mechanical data

Dimensions (length x width x height) (without terminal box, clamping shoes)	1775 mm x 1600 mm x 470 mm
Weight	approx. 500 kg (depending on the design)
Place of installation	Roof
Cooling	Forced air cooling
Degree of protection	IP 55
Temperature range	-25 °C to +45 °C

Subject to modifications

BLOCK DIAGRAM (LRV Gothenburg)



Kiepe Electric GmbH

Kiepe-Platz 1
40599 Düsseldorf
Tel: +49 211 7497-0
Fax: +49 211 7497-300
info.kiepe@knorr-bremse.com
www.kiepe.knorr-bremse.com



Knorr-Bremse Group

This publication may be subject to alteration without prior notice. A printed copy of this document may not be the latest revision. Please contact your local Knorr-Bremse representative or check our website www.knorr-bremse.com for the latest update. The figurative mark "K" and the trademarks KNORR and KNORR-BREMSE are registered in the name of Knorr-Bremse AG. Copyright 2016 © Knorr-Bremse AG. All rights reserved, including industrial property rights applications. Knorr-Bremse AG retains all power of disposal, such as for copying and transferring.