

# SWITCHES

## STANDARD FAMILY CODE LTCH10001\*A03

Family Type	LTCH 1000
Number / Type of Poles	1 / NO
Mounting Position	Horizontal - Vertical <sup>1</sup>
Control Voltage Rating Uc (DC) [V]	24 - 36 - 48 - 72 - 110 <sup>1</sup>
Auxiliary Contact Blocks	2 x (1 NO + 1 NC)
Block Type	SL
Arc-chute Material	Ceramic
Main Contacts Tips Material	S6
Arcing Contacts Tips Material	S8
Electric Diagram	SC27207
Layout Drawing	D50819

<sup>1</sup> To be specified in order phase.



**MICROELETTRICA**

## Description

Contactors with double interruption in air, electromagnetic control by starter power save system for double winding coil. Single state functioning. Reference Standards IEC 60077, IEC 61992 and IEC 60947.

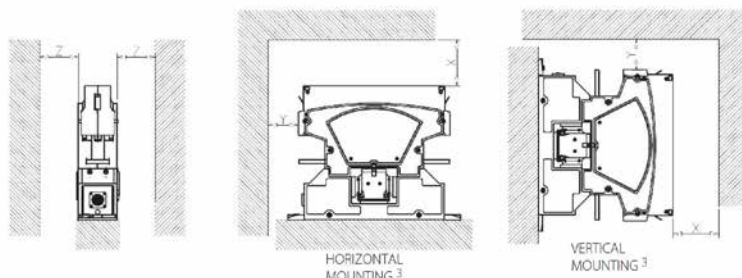
Insulation Characteristics		
Rated Operational Voltage (AC / DC)	[V]	1800 / 900
Max Operational Voltage (AC / DC)	[V]	2000
Rated Insulation Voltage	[V]	2000
Rated Impulse Voltage	[kV]	12
Rated Power Frequency Withstand Voltage (50 Hz for 60 s)		
Between HV to LV Circuit + Earth	[V]	6000
Between Open Contacts	[V]	4700
Between Each Pole (if more than 1)	[V]	-
Between LV Circuit and Earth	[V]	1500
Minimum Clearance Distance between Open Contacts	[mm]	14
Minimum Clearance Distance between Power Circuit to Earth	[mm]	14
Minimum Creepage Distance between Power Circuit to Earth	[mm]	25
Comparative Tracking Index (CTI) (IEC 60112)	[V]	600
Electrical Characteristics		
Conventional Free Air Thermal Current at 40 °C <sup>2</sup>	[A]	1100
Conventional Free Air Thermal Current at 75 °C <sup>2</sup>	[A]	1000
DC - Rated Operational Current (τ = 15 ms)		
1800 V	[A]	600
900 V	[A]	1200
DC - Maximum Breaking Capacity (τ = 5 ms)		
1800 V	[A]	1500
900 V	[A]	3000
AC - Maximum Breaking Capacity (cosφ = 0,8; 50 Hz)		
1800 V	[A]	1500
900 V	[A]	3000
Component Category / Operational Frequency Class		A2 / C3
Rated Short Time Withstand Current	[kA]	20 (for 100 ms)
Critical Current Range	[A]	None
Fault Making Capacity	[kA]	20
Blow Out Circuit Type		Indirect Coil with Arcing Contact

<sup>2</sup> Device cabled according IEC 60947

<sup>3</sup> Other mounting positions not allowed, reduced distances should be approved by Microelettrica

Minimum clearances [mm] from:				
Rated Operational Voltage		X	Y	Z
1800 V	Metal Parts	120	50	50
	Plastic Parts	50	30	20

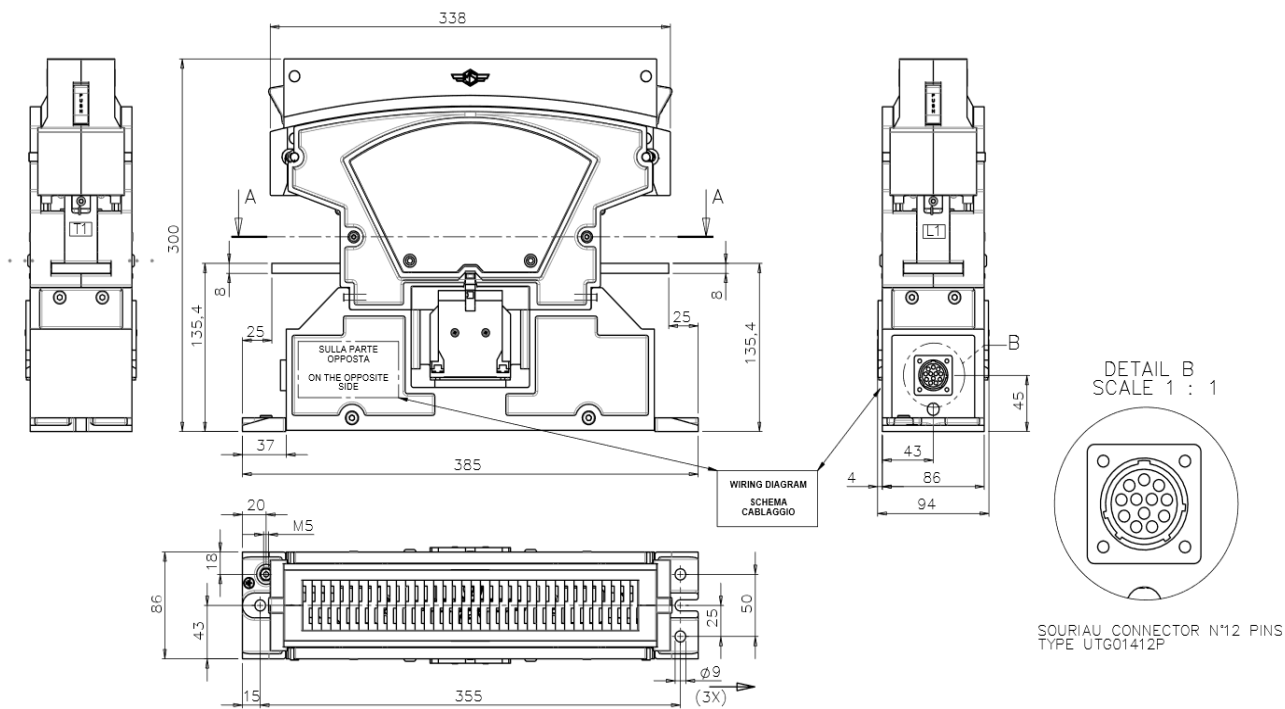
Minimum clearances [mm] from:				
Rated Operational Voltage		X	Y	Z
900 V	Metal Parts	100	50	30
	Plastic Parts	50	30	20



Mechanical Characteristics		
Mechanical Endurance	[cycles]	2 x 10 <sup>6</sup>
Shock and Vibrations (IEC 61373)		Cat.1 - Class B
Weight	[kg]	10
Control Circuit		
Control Voltage Range	[V]	0.7U <sub>c</sub> ÷ 1.25U <sub>c</sub>
Power Consumption (U <sub>c</sub> and T = 20 °C) at Pick Up - when Holding	[W]	300 - 10
Mechanical Operation Time (U <sub>c</sub> and T = 20 °C) when Closing - Opening	[ms]	150 - 40
Time Constant (L/R) at Pick Up - when Holding	[ms]	5 - 5
Electrical Connections		Burndy Connector 12 pins
Auxiliary Contact		
Rated Operational Voltage (AC / DC)	[V]	250
Conventional Free Air Thermal Current at 40 °C	[A]	10
Tips Material		Silver Alloy (Optional: Golden Plated)
Minimum Let-through Current at 24 - 72 - 110 VDC <sup>4</sup>	[mA]	20(10) - 15(7.5) - 10(5) <sup>4</sup>
Electrical Connections		Fast-on 6.35 x 0.8 mm
Environmental Conditions		
Stock Temperature Range	[°C]	-50 ÷ +85
Operational Temperature Range	[°C]	Tx (-40 ÷ +75) <sup>5</sup>
Pollution Degree - Overvoltage Category (EN 50124-1)		PD3 - OV3
Max Altitude without Performance Derating	[m]	2000

<sup>4</sup> Reference Standard IEC 60947-5-4. Tested in a DRY and CLEAN condition with an LR load. The values with golden plated tips are indicated between brackets. For different working conditions, please contact Microelettrica

<sup>5</sup> According to IEC 50125-1



The technical specifications reported are not binding and they should be agreed in the contract.

**For further technical information on our products visit [www.microelettrica.com](http://www.microelettrica.com)**

**Microelettrica Scientifica S.p.A.**

20090 Buccinasco (MI) , Via Lucania 2, Italy

Tel.: +39 02 575731

E-mail: [info@microelettrica.com](mailto:info@microelettrica.com)

[www.microelettrica.com](http://www.microelettrica.com)

