

PISTONSUPPLY ECO

Oil-free Compressor

The Knorr-Bremse oil-free compressor has created a paradigm shift in the rail industry. With no oil in the system, the compressed air output is clean and free of oil. The Knorr-Bremse oil-free compressor **PistonSupply Eco**, VV-T 2.0, offers an outstanding combination of high performance, low vibration and noise levels, combined with worldwide field experience. Continuous technical improvement has now led to the next generation oil-free compressors.

Customer benefits

- Service-proven product with more than 27,000 units sold
- Oil-free air is environmentally friendly and causes no downstream contamination
- No oil exchange, no disposal of used oil, no contaminated condensate to collect
- Specially optimized design to minimize noise and vibrations
- Cold starts without preheating, down to $-50\text{ }^{\circ}\text{C}$

Applications

- High-speed trains
- Light rail vehicles
- Locomotives
- Metros
- Monorails
- Regional & commuter trains
- Special vehicles



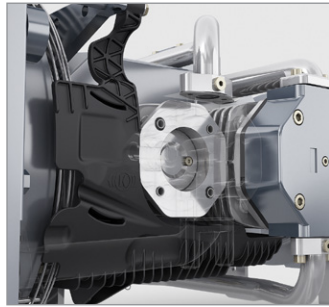
KNORR-BREMSE

PistonSupply Eco Key Features

- Environmentally friendly design
- Designed for railroad applications
- Continuously improved product based on long-term worldwide experience
- Less complex system with fewer interfaces than conventional compressor systems
- Robust design for underfloor mounting conditions as well as for standing installation, roof-mounted or interior

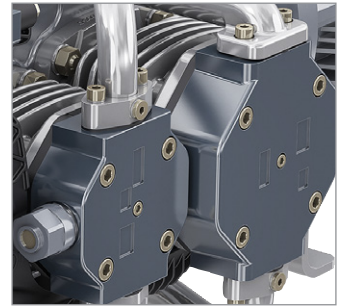
Cooling Air Guiding System

- Improved cooling performance
- Temperature reduction of up to 20 °C



Improved Tribological System

- Reduced friction within piston-cylinder system
- Significant reduction of wear



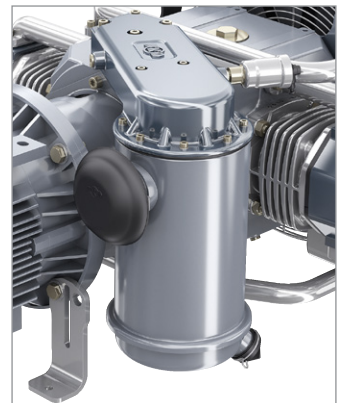
Compressor Condensate Removal System

- Reduction of liquid condensate after the intermediate cooler
- Applicable for all climatic conditions



Single-sided Air Intake System

- Filter exchange time reduction
- Improved air intake rain covers for reduced intake velocity



Technical Data PistonSupply Eco

Type	Air Delivery 50/60 Hz	Type	Air Delivery 50/60 Hz
VV40-T	255/315 l/min	VV180-T	1450/1750 l/min
VV80-T	435/520 l/min	VV270-T	2000/2400 l/min
VV90-T	530/625 l/min	VV450-T	3100 l/min
VV120-T	815/980 l/min	VV1000-T	2750/5250 l/min

Knorr-Bremse Systeme für Schienenfahrzeuge GmbH

Moosacher Straße 80
80809 Munich
Germany
Phone: +49 89 3547-0
Fax: +49 89 3547-2767
rail.knorr-bremse.com



 **KNORR-BREMSE**

 **NEW YORK AIR BRAKE**

 **IFE**

 **MERAK**

 **MICROELETTRICA**

 **SELECTRON**

 **KIEPE ELECTRIC**

 **EVAC**

 **ZELISKO**

 **RAILSERVICES**